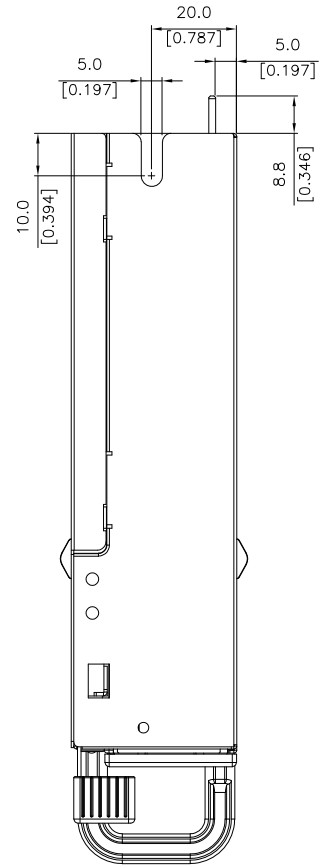
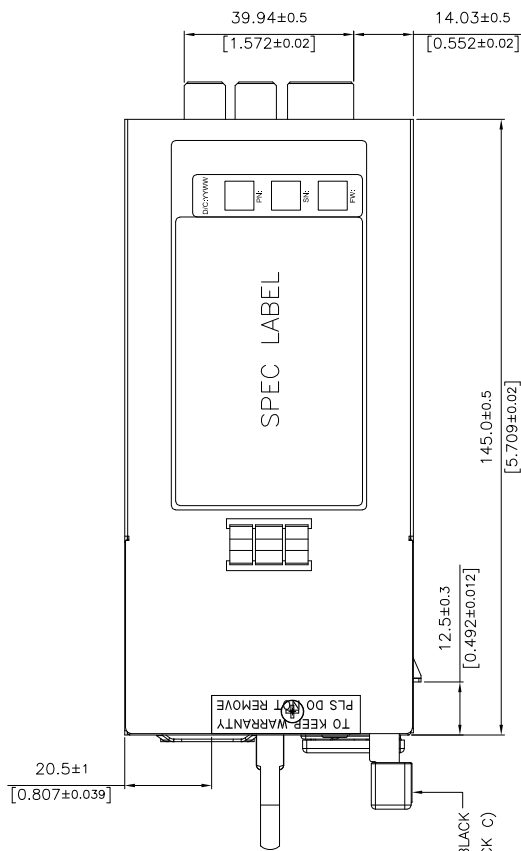
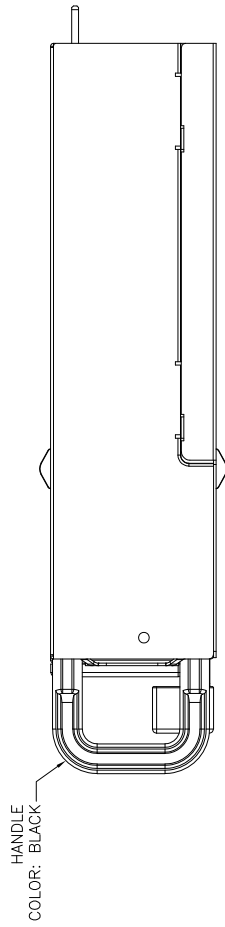
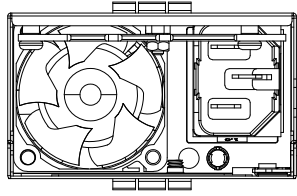


YSEA0550AM-2A00P10



AIR FLOW

