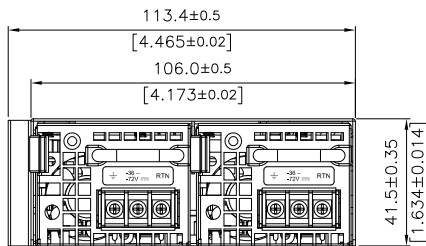
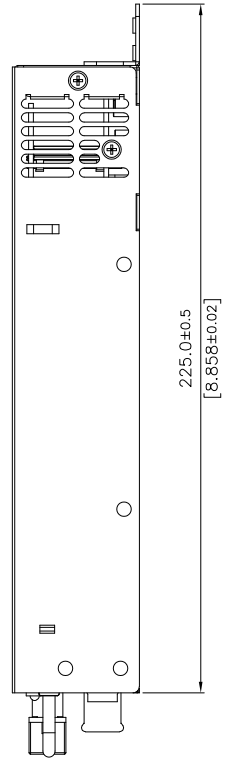
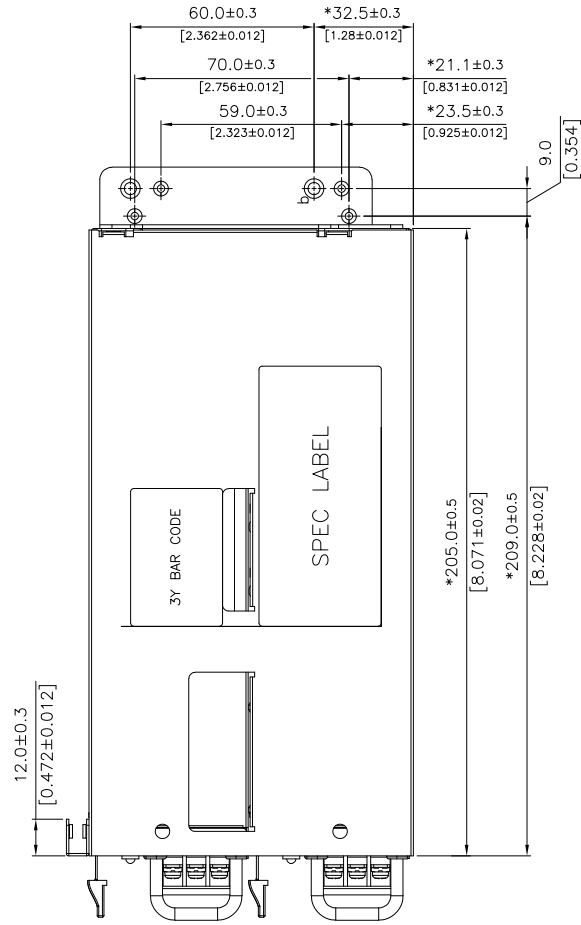
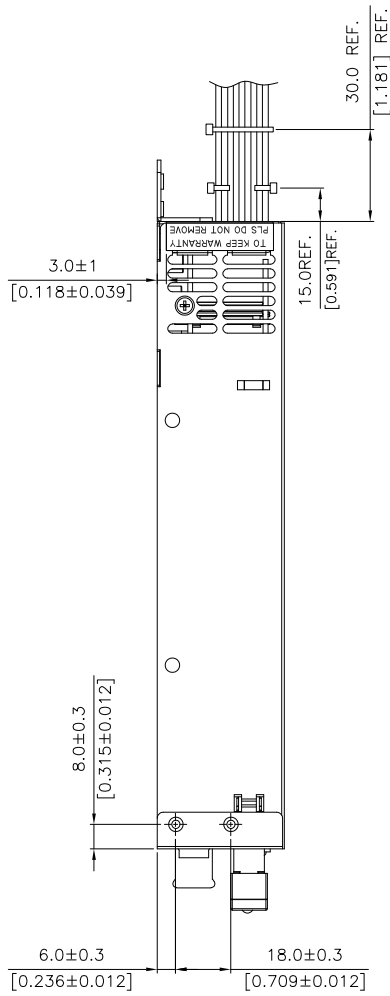
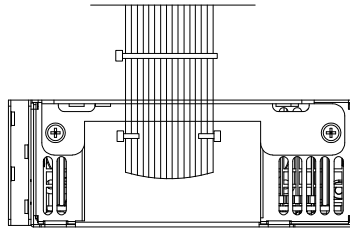


YH5151-1FBR0A2D



AIR FLOW 